



KANGAROO POCKET PACKAGING MACHINE

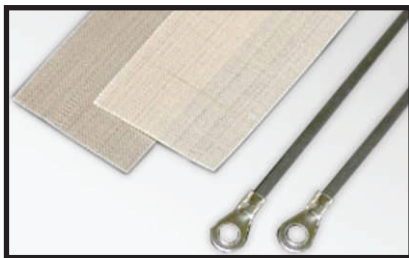
New design, ideal machine is to accomplish Bulk-Packaging of metal and plastic parts for electronic, automotive appliances and sundry goods.



Model SN-250

The Kangaroo Pocket Packer SN-250 is versatile and robust engineering design to meet daily busy packaging requirement. It offers low operating and maintenance costs and longer machine life, thus making it the ideal choice to reduce costs and increase productivity. Besides its compact design ideal space saving, the Kangaroo Pocket Packer is highly integrable with other equipments to achieve fully automatic operation.

Features



Impulse Sealing System



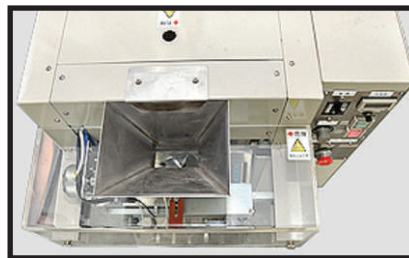
Bag Counter



Compact Engineering Design



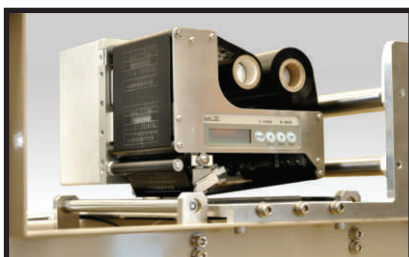
Robust Mechanical Design



Low Maintenance



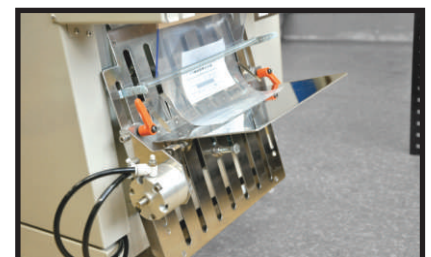
Simple Bag Size Changeover



Integration of Thermal Printer (Optional)



Integration of Vibration Bowl (Optional)



Support Unit for Heavy Weight Products (Optional)

Manufactured by
Shin Nihon Auto-Pack Co. Ltd.
 Tamagawa 2-1-5, Ohtaku 146-0095, Tokyo, Japan

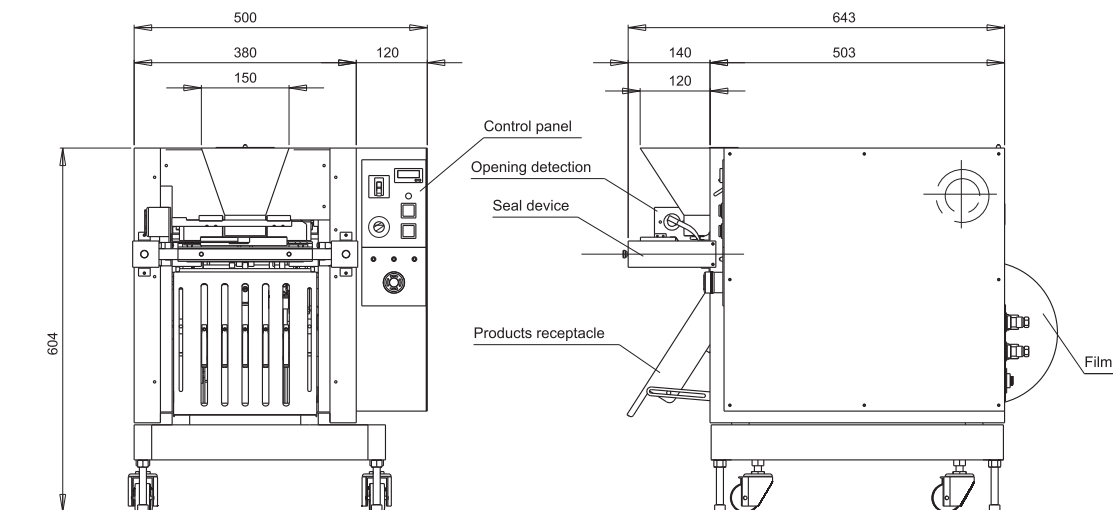
Polybags

We offer both standard and custom poly bags in LDPE material that comes in roll form with Kangaroo pocket type (pre-opened). The poly bags shaped like a Kangaroo pocket where one side is pre-opened and other side with a continuous perforated line.

Customized poly bags include pre-printed artworks, special perforations, easy open perforations, and air relief holes.



Specification



Power Requirements	AC 100V 1.0KVA
Using Bag Size	Width: 80 to 200 mm Length: 100 to 250 mm Thickness: 0.05 to 0.1 mm
Packing Capacity	7 bags per minute
Packing Material	Kangaroo Pocket Film
Dimension	500 mm (W) x 643 mm (L) x 604 mm (H)
Weight	80 kg (160 pound)
Code (Original)	P22-359 (JPMA code) 5Y7/1 (Munsell code)
Option	Printer Unit (Rubber or Thermal) Shutter Unit For Heavy Weight Products
Other	Corresponds to the desired specifications